

Ausrack Plus Frame 19" Frames

Index

[Dimension Sheet](#)

[Catalogue Information](#)

[Leaflet](#)

Web Links

[Ausrack Frames Information Page](#)

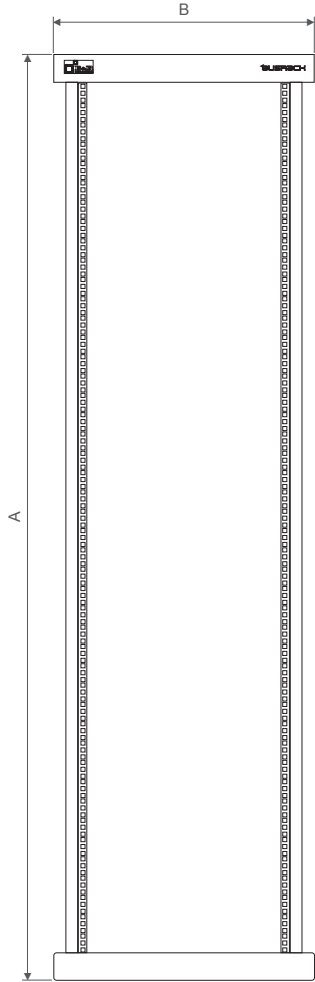
[Ask a question / Send us an enquiry](#)

[Information about B&R](#)

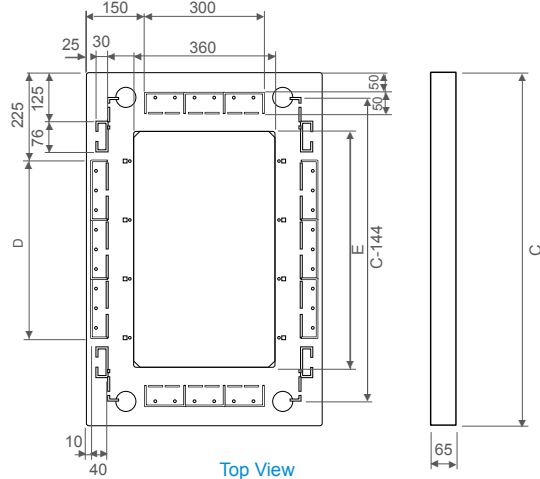
[Local Sales Team Phone Numbers](#)



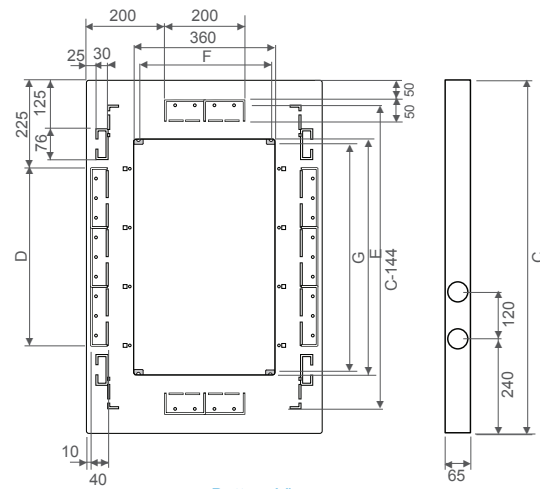
Ausrack Plus Frame – 600mm wide



Front View



Top View



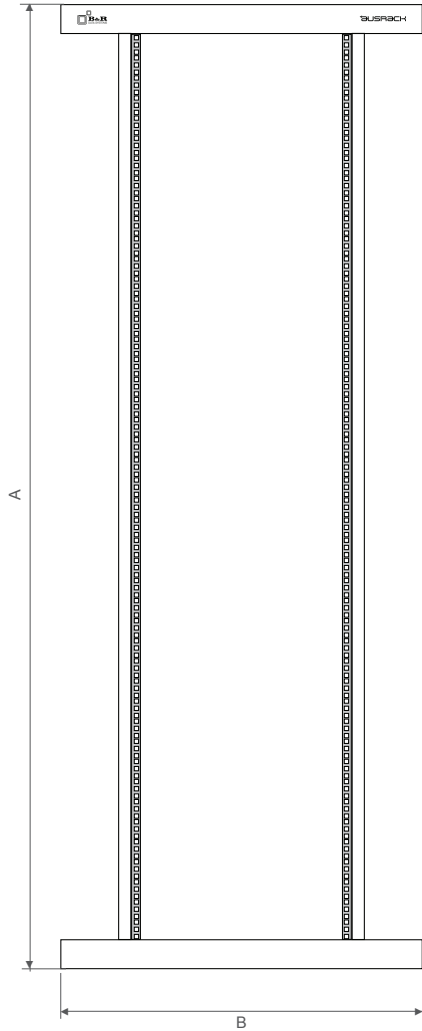
Bottom View

Dimensions (mm)

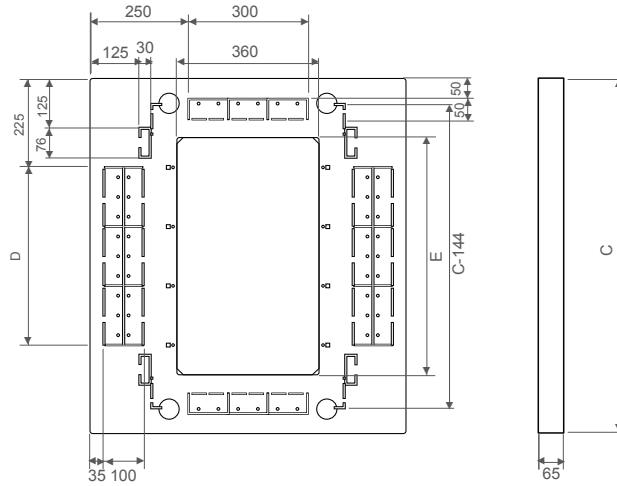
Catalogue No.	External			Cable Aperture		Bolt Down	
	A	B	C	D	E	F	G
AF24U606	1202	600	600	100	300	331.6	251.1
AF24U609	1202	600	900	450	600	331.6	551.1
AF24U611	1202	600	1100	650	750	331.6	751.1
AF40U606	1913	600	600	100	300	331.6	251.1
AF40U609	1913	600	900	450	600	331.6	551.1
AF40U611	1913	600	1100	650	750	331.6	751.1
AF45U606	2135	600	600	100	300	331.6	251.1
AF45U609	2135	600	900	450	600	331.6	551.1
AF45U611	2135	600	1100	650	750	331.6	751.1



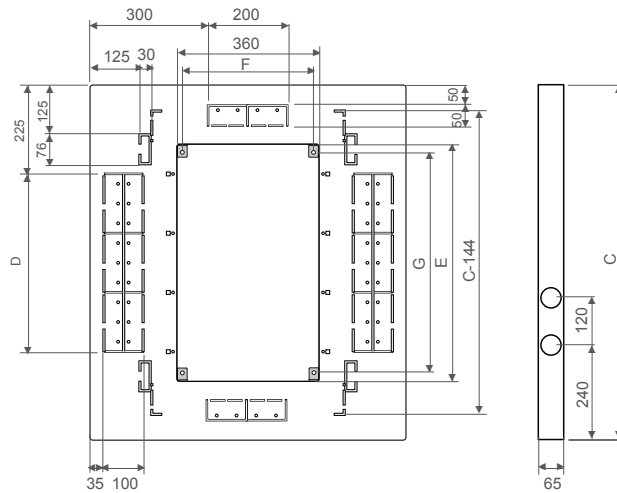
Ausrack Plus Frame – 800mm wide



Front View



Top View



Bottom View

Dimensions (mm)

Catalogue No.	External		Cable Aperture		Bolt Down		
	A	B	C	D	E	F	G
AF40U809	1913	800	900	450	600	331.6	551.1
AF40U811	1913	800	1100	650	750	331.6	751.1
AF45U809	2135	800	900	450	600	331.6	551.1
AF45U811	2135	800	1100	650	750	331.6	751.1



Ausrack Plus Frame

19" Frames

brenclosures.com.au/af.htm



Features

- Robust welded design
- Static load rating of 1400kg
- Seismic rating of 900kg
- Depth adjustable RU marked rails
- Specifications
 - EIA 310-D, IEC 60297
 - SSI specification
- Materials
 - Body – zinc coated steel
 - Frame thickness – 1.6mm
 - Rail thickness – 2.0mm
- Surface finish – powdercoat textured matt black



Universal 19" frame that can be configured into suites and clad as per the application requirements. Designed with a high load rating and inset posts it combines versatility and strength with easy to use features.

Inclusions

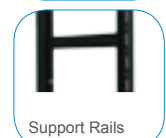
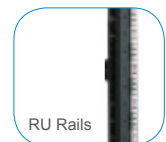
- Frame
- 4 x full height RU marked mounting rails
- Flat top cover (24RU racks only)
- Gland plates in roof (40 & 45 RU racks only)
- Bolt down brackets

Selection Guide

Catalogue No.	Height (RU)	Dimensions (mm)			Weight (kg)
		Height	Width	Depth	
AF24U606*	24	1202	600	600	47.5
AF24U609*	24	1202	600	900	55.5
AF24U611*	24	1202	600	1100	61.5
AF40U606#	40	1913	600	600	59.5
AF40U609#	40	1913	600	900	69.0
AF40U611#	40	1913	600	1100	79.5
AF45U606#	45	2135	600	600	65.0
AF45U609#	45	2135	600	900	73.5
AF45U611#	45	2135	600	1100	85.0
AF40U809#	40	1913	800	900	60.0
AF40U811#	40	1913	800	1100	86.0
AF45U809#	45	2135	800	900	80.0
AF45U811#	45	2135	800	1100	90.0

* 24RU frames are supplied with ARTF flat top cover

40 & 45RU frames are supplied with gland plates fitted into the roof

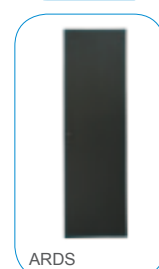
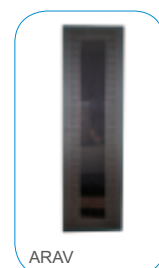
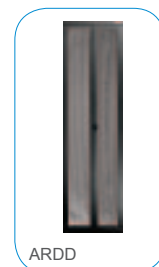
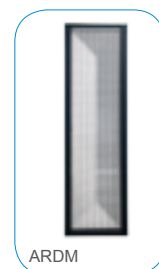


Accessories

Doors

All doors include a lockable wing knob and two point locking as standard. Optional 3 point locking is available (ARP3L) on all doors except for split mesh doors. Electronic remote controlled and monitored locking systems are available on request.

Description	Catalogue No.	To suit cabinets & frames	
		Height (RU)	Width (mm)
Mesh steel door (63% open mesh)	ARDM24U06	24	600
	ARDM40U06	40	600
	ARDM40U08	40	800
	ARDM45U06	45	600
	ARDM45U08	45	800
Mesh steel door – split (63% open mesh)	ARDD24U06	24	600
	ARDD40U06	40	600
	ARDD40U08	40	800
	ARDD45U06	45	600
	ARDD45U08	45	800
Window door, acrylic	ARDA24U06	24	600
	ARDA40U06	40	600
	ARDA40U08	40	800
	ARDA45U06	45	600
	ARDA45U08	45	800
Window door, acrylic – vented	ARAV24U06	24	600
	ARAV40U06	40	600
	ARAV40U08	40	800
	ARAV45U06	45	600
	ARAV45U08	45	800
Steel door	ARDS24U06	24	600
	ARDS40U06	40	600
	ARDS40U08	40	800
	ARDS45U06	45	600
	ARDS45U08	45	800



Introduction

General Purpose

Special Purpose

Multiple Applications

Hazardous Areas

Data & Communications

Ancillary Items

Technical Drawings

Technical Information



Ausrack Plus Accessories

Cladding & Cable Zones

Side Panels

Side panels include venting and are easy to fit using locating pins and slam latches. The side panels can be locked into the frame using either an external lock kit (ARSPL) or an internal latch kit (ARSPIL).

Description	Catalogue No.	To suit cabinets & frames	
		Height (RU)	Depth (mm)
Side panel	ARP24U06	24	600
	ARP24U09	24	900
	ARP24U11	24	1100
	ARP40U06	40	600
	ARP40U09	40	900
	ARP40U11	40	1100
	ARP45U06	45	600
	ARP45U09	45	900
	ARP45U11	45	1100



Top Covers

Top covers are used to enclose the frames on top plinth section. The raised top covers feature ventilation for airflow. Top covers can be used in conjunction with fans on page 171.

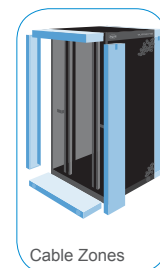
Description	Catalogue No.	To suit cabinets & frames (mm)	
		Width	Depth
Top cover – flat	ARTF606	600	600
	ARTF609	600	900
	ARTF611	600	1100
	ARTF809	800	900
	ARTF811	800	1100
Top cover – raised	ARTR606	600	600
	ARTR609	600	900
	ARTR611	600	1100
	ARTR809	800	900
	ARTR811	800	1100



Cable Zones

Ausrack cable zones mount on the side of the cabinet to optimise accessibility and space available for cabling and cable management products. They can be incorporated into suites and are available for all 40 and 45RU cabinets and frames. The cable zones consist of top and bottom plinths, front and rear cover panels, and all fixings for installation on to the rack.

Description	Catalogue No.	Width (mm)	To suit cabinets & frames	
			Height (RU)	Depth (mm)
Cable Zone – 100mm	AC40U06	100	40	600
	AC40U09	100	40	900
	AC40U11	100	40	1100
	AC45U06	100	45	600
	AC45U09	100	45	900
	AC45U11	100	45	1100
Cable Zone – 200mm	AC40U206	200	40	600
	AC40U209	200	40	900
	AC40U211	200	40	1100
	AC45U206	200	45	600
	AC45U209	200	45	900
	AC45U211	200	45	1100



Cable Zones

Cable Zone Blanking Plates

Cable zone blanking plates seal the front section of racks bayed with cable zones, from the hot exhaust air at the rear of the cabinet. The cable zone blanking plates extend between the posts of the racks over the cable zone to the full height of the racks.

Description	Catalogue No.	Width (mm)	To suit cabinets & frames
Cable zone blanking plates	ARBPB40U100	100	40 RU
	ARBPB40U200	200	40 RU
	ARBPB45U100	100	45 RU
	ARBPB45U200	200	45 RU



ARPBP

Introduction

General Purpose

Special Purpose

Multiple Applications

Hazardous Areas

Data & Communications

Ancillary Items

Technical Drawings

Technical Information



Aurack Plus Accessories

Cable Management & Power Rails

Cable Management

Aurack cable management can be incorporated into Aurack Plus Server and Network cabinets for both horizontal and vertical cable management of high density cabling.

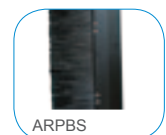
Product	Description	Catalogue No.	Height (RU)	Width (mm)	To suit cabinets & frames
Horizontal Cable Management	Cable fingers and cover panel	ARHCMF1U	1		All Aurack Plus products
		ARHCMF2U	2		
		ARHCMF4U	4		
Vertical Cable Management Fingers	Cable fingers and connection bracket	ARVCMF40U	40		All Aurack Plus products
		ARVCMF45U	45		Aurack CQR & Aurack TxD
		ARVCMF40UR	40		
		ARVCMF45UR	45		
Vertical Cable Management System	U-Channel system with cable fingers and connection brackets.	ARVCMS40U10	40	100	Aurack Plus products – 800mm wide or with use of cable zones
		ARVCMS40U20	40	200	
		ARVCMS45U10	45	100	
		ARVCMS45U20	45	200	
Cable Management Rings	155mm deep, single zone	ARPCMR2S	–	–	100mm cable zone
	300mm deep, single zone	ARPCMR3S	–	–	100mm cable zone
	300mm deep, two zone	ARPCMR3D	–	–	200mm cable zone
Cable management patch bracket	–	ARPCMB	–	–	All
Cable management hanger	24 Port – 597mm	ARPCMP24	–	–	–



Brush Strips

Vertical brush strips are used to control airflow in the rack. They provide a barrier between the front of the frame and hot exhaust air at the rear, between the post and the side panel, while also allowing cable access. Each strip attaches to the post and extends to the side panel of the cabinet.

Description	Catalogue No.	To suit cabinets & frames	
		Height (RU)	Width (mm)
Vertical brush strips	ARPBS40U06	40	600
	ARPBS40U08	40	800
	ARPBS45U06	45	600
	ARPBS45U08	45	800



Privacy Panels

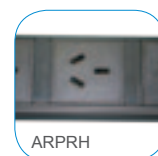
Privacy panels are a secure method of providing access only to a single cabinet, when cabinets are bayed together, by using either a non-removable panel, or with a removable set of panels.

For more details, please contact your local B&R Sales Engineer.

Power Rails

A range of 6, 10, 20-way, 10A SAA outlets and 10-way IEC-C13 power rails tested to Australian Standards, suitable for use in all Ausrack cabinets. Switched and intelligent PDUs available on request.

Description	Catalogue No.	Outlet Type	Outlet No.	Outlet Style	Plug	Height (RU)	Circuit Breaker
Horizontal SAA	ARPRH61010	10A	6	SAA Outlet	10A SAA plug	1	10A
	ARPRH61015	10A	6	SAA Outlet	15A SAA plug	1	15A
	ARPRH101010	10A	10	SAA Outlet	10A SAA plug	2	10A
	ARPRH101015	10A	10	SAA Outlet	15A SAA plug	2	15A
Vertical SAA	ARPRV61010	10A	6	SAA Outlet	10A SAA plug	10	10A
	ARPRV61015	10A	6	SAA Outlet	15A SAA plug	10	15A
	ARPRV101010	10A	10	SAA Outlet	10A SAA plug	16	10A
	ARPRV101015	10A	10	SAA Outlet	15A SAA plug	16	15A
	ARPRV201010	10A	20	SAA Outlet	10A SAA plug	28	10A
Vertical IEC	ARPRV201015	10A	20	SAA Outlet	15A SAA plug	28	15A
	ARPRV10C13C14	10A	10	IEC320-C13	IEC320-C14	10	10A
Power distribution system*	ARPRV10C13C20	10A	10	IEC320-C13	IEC320-C20	10	16A
	ARPDS16W16		2 x 16	IEC320-C13	32A#	—	—



* Power Distribution system consists of a control unit, with 32A input captive plug and dual circuit breakers supplying 2 x 16 way IEC-C13 socket power rails

Captive plug

Introduction

General Purpose

Special Purpose

Multiple Applications

Hazardous Areas

Data & Communications

Ancillary Items

Technical Drawings

Technical Information



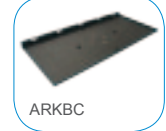
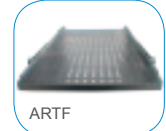
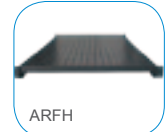
Ausrack Plus Accessories

Shelves, Cable Trays, Fans & General Accessories

Shelves

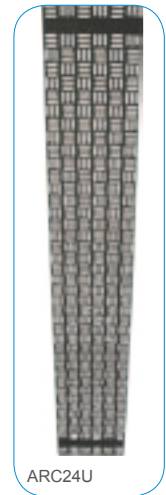
Description	Catalogue No.	Depth (mm)	Load		To suit cabinets & frames (mm)
			Rating (kg)	Height (RU)	
Cantilever shelf	ARC210	210	10	2	All
	ARC360	360	10	2	All
Fixed shelf, light duty	ARFL450	450	50	1	600mm deep
	ARFL750	750	50	1	900mm deep
	ARFL950	950	50	1	1100mm deep
Fixed shelf, heavy duty	ARFH450	450	100	1	600mm deep
	ARFH750	750	100	1	900mm deep
	ARFH950	950	100	1	1100mm deep
Telescopic shelf, full extension	ARTF450	450	20	1	600mm deep
	ARTF750	750	20	1	900mm deep
	ARTF950	950	20	1	1100mm deep
Telescopic shelf, half extension	ARTH450	450	40	1	600mm deep
	ARTH750	750	40	1	900mm deep
	ARTH950	950	40	1	1100mm deep
Keyboard pivot tray accessory*	ARKBC	-	-	2	All

* Requires telescopic shelf



Cable Trays

Description	Catalogue No.	Cable Mounting Width (mm)	To suit cabinet	
			Height (RU)	
Cable tray	ARC24U15	150	24	
	ARC24U30	300	24	
	ARC40U15	150	40	
	ARC40U30	300	40	
	ARC45U15	150	45	
	ARC45U30	300	45	



19" Blanking Panels

Blanking panels are used to control airflow in the rack. They are manufactured from 1.2mm steel and finished in a matt black powdercoat paint.

Description	Catalogue No.	Height (RU)	Dimensions (mm)	
			Height	Width
Blanking panel	EBP1U	1	44	483
	EBP2U	2	88	483
	EBP3U	3	132	483
	EBP4U	4	177	483
	EBP5U	5	222	483
	EBP6U	6	266	483



Introduction

General Purpose

Fans

The 2 and 4 unit fan kit installs into the roof or bottom plinth. The 2 unit fan kit can also be fitted into the equipment rails. All fans are supplied with a 2 m flex and 10A SAA plug. Fan units with options of whisper quiet fans are available on request.

Product	Description	Catalogue No.	Height (RU)
Fan kit – 2 unit	high speed, axial	ARPAF2	1
	whisper quiet	ARPAF2WT	1
	high speed, axial, with integrated thermostat	ARPAF2T	1
Fan kit – 4 unit*	high speed, axial	ARPAF4	1
	whisper quiet	ARPAF4WT	1
	high speed, axial, with integrated thermostat	ARPAF4T	1

* Fitting in roof and base only



Special Purpose

Multiple Applications

Hazardous Areas

General & Mounting Accessories

Description	Catalogue No.
Heavy duty roller kit	ARPRK
Adjustable foot kit	ARPFK
Server stabilising kit	ARPSSK
Baying kit – 4 brackets	ARPBK
3 point locking kit, suits all door except split doors	ARP3L
Side panel lock kit	ARSPL
Side panel internal latch kit (pack of two)	ARSPIL
Mounting rail horizontal support arm, to suit 600mm deep	ARMS06
Mounting rail horizontal support arm, to suit 900mm deep	ARMS09
Mounting rail horizontal support arm, to suit 1100mm deep	ARMS11
Mounting rail pair, powder coated, 12RU	ARMR12U
Mounting rail pair, powder coated, 24RU	ARMR24U
Mounting rail pair, powder coated, 40RU	ARMR40U
Mounting rail pair, powder coated, 45RU	ARMR45U
M6 cage nuts, screws and washers (pack of 50)	ARCN

Data & Communications

Ancillary Items

Technical Drawings

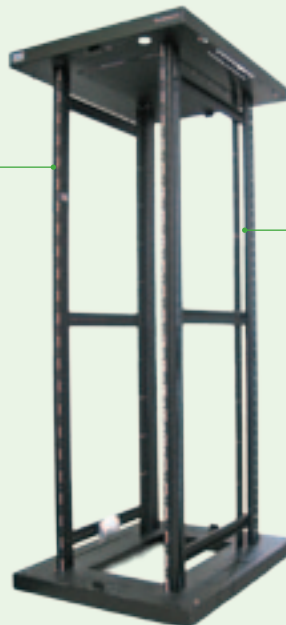
Technical Information

19" Frames



Adjustable 19"
Rack Rails

Inset posts



OVERVIEW

The Ausrack Plus Frame is a universal 19" frame that can be configured into suites and clad as per the application requirements.

It features inset posts allowing cable access across the front and rear of the rack and bend back cable entries for easy access into the rack.

MATERIALS

Body: Zinc coated steel
Frame thickness: 1.6mm
Rail thickness: 2.0mm
Surface finish: Powdercoated textured matt black

APPLICATION

Designed for complete flexibility in medium to large data room applications.

FEATURES

- EIA-310-D and SSI standards compliant
- Static load rating of 1400kg
- Seismic rating of 900kg
- Depth adjustable RU marked rails
- Integrated bayed cabinets with simple accessory
- Innovative modular cable management facility
- Designed to allow two or more people to work on installation
- Comprehensive range of accessories

Catalogue No.	Height (RU)	Dimensions (mm)			Weight (kg)
		Height	Width	Depth	
AF24U606*	24	1202	600	600	47.5
AF24U609*	24	1202	600	900	55.5
AF24U611*	24	1202	600	1100	61.5
AF40U606#	40	1913	600	600	59.5
AF40U609#	40	1913	600	900	69.0
AF40U611#	40	1913	600	1100	79.5
AF45U606#	45	2135	600	600	65.0
AF45U609#	45	2135	600	900	73.5
AF45U611#	45	2135	600	1100	85.0
AF40U809#	40	1913	800	900	60.0
AF40U811#	40	1913	800	1100	86.0
AF45U809#	45	2135	800	900	80.0
AF45U811#	45	2135	800	1100	90.0

* 24RU frames are supplied with ARTF flat top cover

40 & 45RU frames are supplied with gland plates fitted into the roof

Accessories

Product	Description	Catalogue No.
Mesh steel door (63% open mesh)	40RU x 600mm wide	ARDM40U06
	45RU x 600mm wide	ARDM45U06
	45RU x 800mm wide	ARDM45U08
Mesh steel door – split (63% open mesh)	40RU x 600mm wide	ARDD40U06
	40RU x 800mm wide	ARDD40U08
	45RU x 600mm wide	ARDD45U06
Window door – acrylic	45RU x 800mm wide	ARDD45U08
	24RU x 600mm wide	ARDA24U06
	40RU x 600mm wide	ARDA40U06
Window door – acrylic, vented	45RU x 600mm wide	ARDA45U06
	40RU x 600mm wide	ARVA40U06
	45RU x 600mm wide	ARVA45U06
Siden panels	24RU x 600mm wide	ARP24U06
	24RU x 900mm wide	ARP24U09
	40RU x 600mm wide	ARP40U06
	40RU x 900mm wide	ARP40U09
	40RU x 1100mm wide	ARP40U11
Cable management – rings	45RU x 600mm wide	ARP45U06
	45RU x 1100mm wide	ARP45U11
	1RU – horizontal	ARPCMH1U
	1RU – horizontal	ARPCMF1U
Cable management – fingers	2RU – horizontal	ARPCMF2U
	4RU – horizontal	ARPCMF4U
	45RU – vertical	ARVCMF45UR
	45RU, 100mm wide	ARVCMS45U10
Power rails – vertical (10A outlets only) SAA	6 x 10A outlets, 10A plug	ARPRV61010
	10 x 10A outlets, 10A plug	ARPRV101010
	20 x 10A outlets, 10A plug	ARPRV201010
	20 x 10A outlets, 15A plug	ARPRV201015



Please Note: Not all accessories are listed. For more information on accessories available visit www.brenclosures.com.au/server_rack.htm

INCLUSIONS

- Frame
- 4 x full height RU marked mounting rails
- Flat top cover (24RU racks only)
- Gland plates in roof (40 & 45RU racks only)
- Bolt down brackets



Other brands in the B&R Group:



Queensland
Townsville P: +61 7 3714 1000
Sydney P: +61 7 4775 6255
Newcastle P: +61 2 8867 7688
Victoria P: +61 2 4961 4433
P: +61 3 8588 8400

South Australia P: +61 8 8417 6200
Western Australia P: +61 8 9248 9744
Tasmania P: +61 3 6331 5545
Northern Territory P: +61 8 8947 0870

Email sales@brenclosures.com.au
Web www.brenclosures.com.au